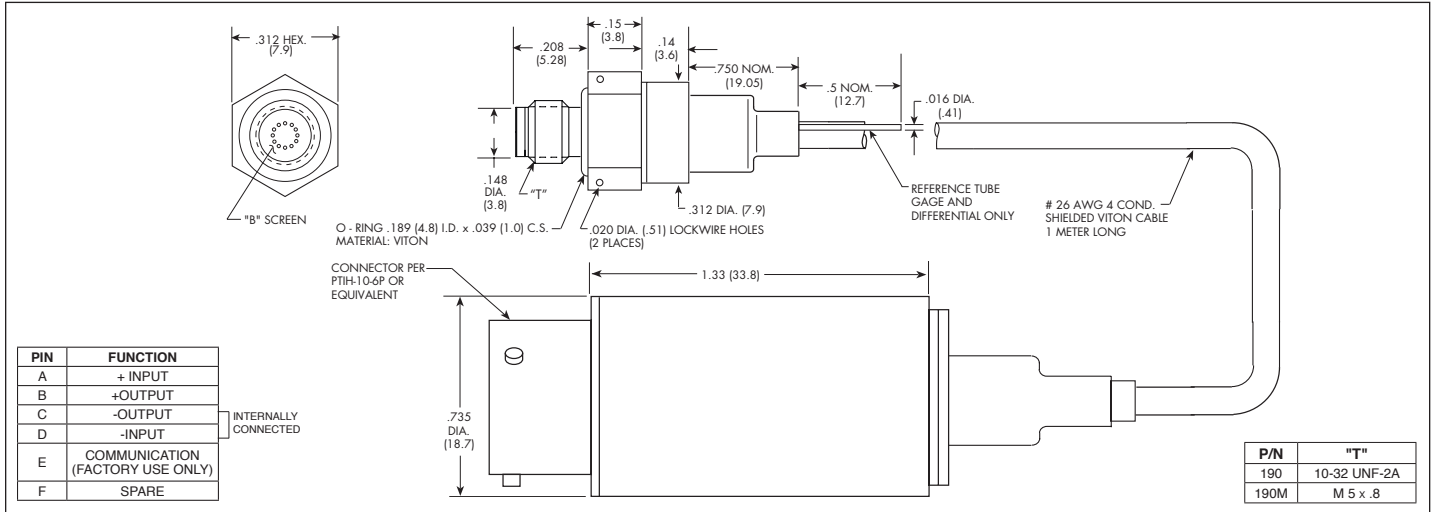




**ULTRA MINIATURE 5 VDC OUTPUT
DIGITALLY CORRECTED RUGGEDIZED
AUTOMOTIVE PRESSURE TRANSDUCER**

XTL-2DC-123GA6-190 (M) SERIES

- Automotive Testing Applications
- Patented Leadless Technology VIS®
- High Accuracy
- .15% T.E.B. Typical
- Compatible With Most Automotive Fluids



	1.0 15	1.7 25	3.5 50	7 100	17 250	35 500	70 1000	100 1500	210 BAR 3000 PSI	
INPUT	Pressure Range	Absolute, Gage, Differential		Absolute, Sealed Gage, Gage, Differential			Absolute, Sealed Gage			
	Operational Mode	2 Times Rated Pressure to a Maximum of 4500 PSI (315 BAR)								
	Over Pressure	3 Times Rated Pressure to a Maximum of 4500 PSI (315 BAR)								
	Burst Pressure	All Nonconductive, Noncorrosive Liquids or Gases (Most Conductive Liquids and Gases - Please Consult Factory)								
	Pressure Media	25 mA (Max.)								
	Maximum Electrical Current	8 - 32 VDC								
	Rated Electrical Excitation	0 to 5 V								
OUTPUT	Output	200 Ohms (Typ.)								
	Output Impedance	± 0.3% (Max.) ± 0.15% (Typ.) (End Point Settings, Combined Non-Linearity, Hysteresis, Repeatability And All Thermal Effects Included)								
	Total Error Band	Infinitesimal								
	Resolution	3.5 KHz								
	Bandwidth (KHz)	6.5x10 ⁻⁴	5.0x10 ⁻⁴	3.0x10 ⁻⁴	1.5x10 ⁻⁴	1.0x10 ⁻⁴	6.0x10 ⁻⁵	4.5x10 ⁻⁵	3.5x10 ⁻⁵	2.0x10 ⁻⁵
	Acceleration Sensitivity % FS/g Perpendicular	100 Megohm Min. @ 50 VDC								
ENVIRONMENTAL	Insulation Resistance	-40°F to +400°F (-40°C to +204°C) Amplifier -40°F to +250°F (-40°C to +121°C)								
	Operating Temperature Range	-40°F to +350°F (-40°C to +176°C)								
	Compensated Temperature Range	100g Peak, Sine Up to 5000 Hz								
	Linear Vibration	100g half Sine Wave 11 msec. Duration								
PHYSICAL	Mechanical Shock	4 Conductor 26 AWG Shielded Viton Cable 1 Meter Long								
	Electrical Connection	25 Grams (Nom.) Excluding Cable								
	Weight	Fully Active Four Arm Wheatstone Bridge Dielectrically Isolated Silicon on Silicon Patented Leadless Technology								
	Sensing Principle	15 Inch-Pounds (Max.)								
Mounting Torque										

Note: Custom pressure ranges, accuracies and mechanical configurations available. Dimensions are in inches. Dimensions in parenthesis are in millimeters. All dimensions nominal. (D) Continuous development and refinement of our products may result in specification changes without notice. Copyright © 2016 Kulite Semiconductor Products, Inc. All Rights Reserved. Kulite miniature pressure transducers are intended for use in test and research and development programs and are not necessarily designed to be used in production applications. For products designed to be used in production programs, please consult the factory.