

METRIC INSTALLATION OF MINIATURE THREADED AND STANDARD THREADED SERIES TRANSDUCERS

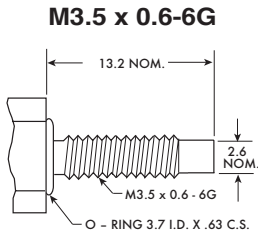


FIG. 1 (a)

For proper mounting of Figures 1(e), an ISO7320 port is required. The detail for this port is shown in Fig. 2 (e) and Fig. 2 (e) Detail. Mounting torque for the transducers is listed below.

M3.5 x 0.6-6G
15 Inch Pounds (Max.)

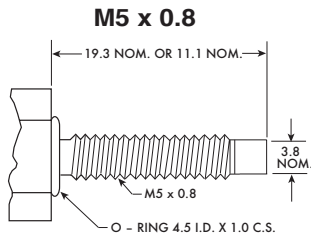


FIG. 1 (b)

M5 x 0.8
15 Inch Pounds (Max.)

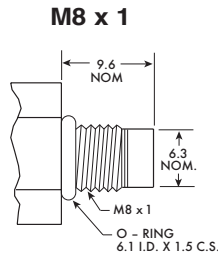


FIG. 1 (c)

M8 x 1
75 Inch pounds (Max.)

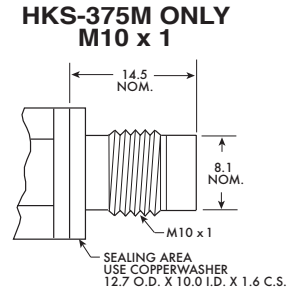


FIG. 1 (d)

M10 x 1
80-120 Inch Pounds

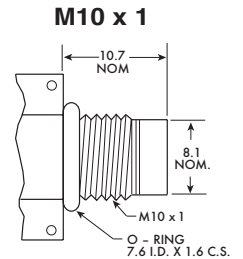


FIG. 1 (e)

M10 x 1
80-120 Inch Pounds

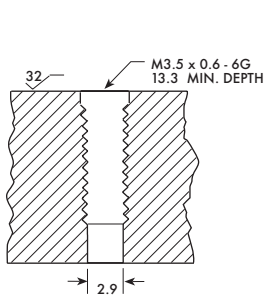


FIG. 2 (a)

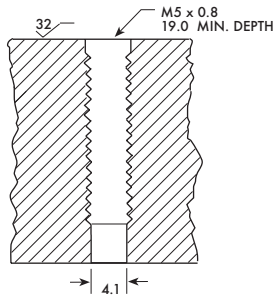


FIG. 2 (b)

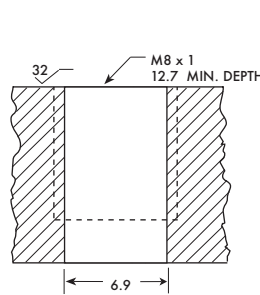


FIG. 2 (f)

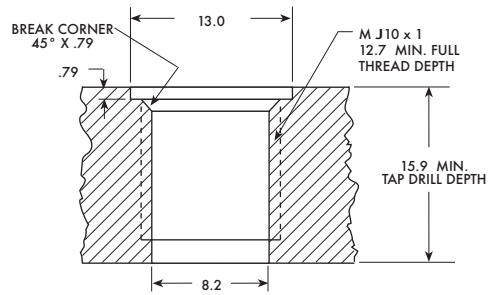


FIG. 2 (d)
HKS-375M ONLY

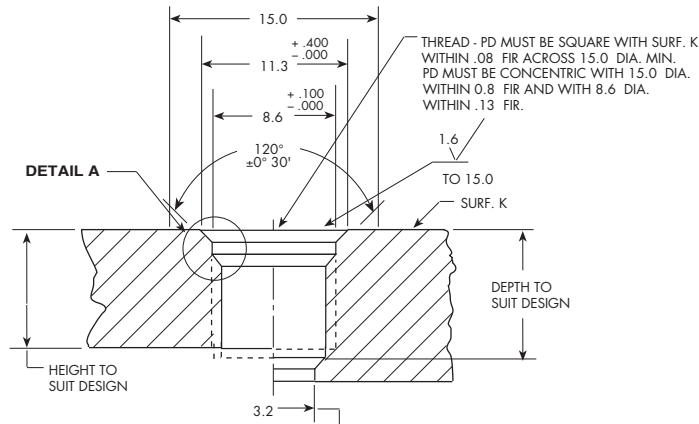


FIG. 2 (c)
MJ8 x 1

MIN. DIA. FOR UNRESTRICTED FLOW OF FLUID MAY BE ANY SIZE OR SHAPE PROVIDED CLEARANCE IS MAINTAINED FOR FITTING

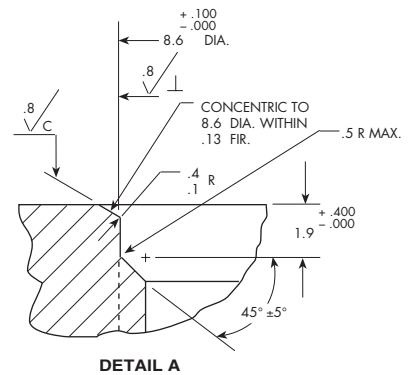


FIG. 2 (c) DETAIL

NOTE: MIN. FLAT BOSS FACE CLEARANCE PROVISIONS FOR FITTING, WRENCH, FITTING INSTALLATION AND TOOL FILLET RADII MUST BE ADDED AS REQUIRED

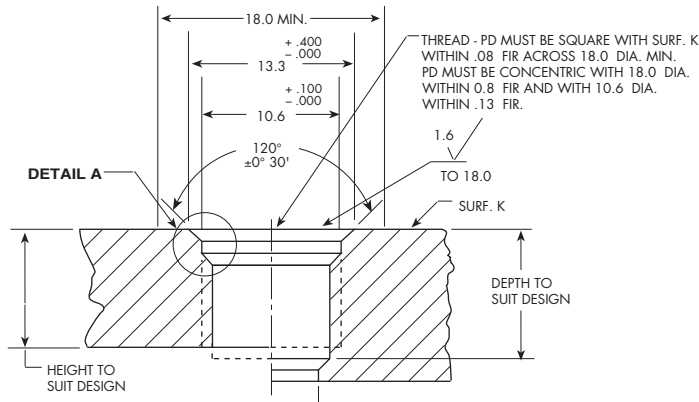


FIG. 2 (e)
MJ10 x 1

MIN. DIA. FOR UNRESTRICTED FLOW OF FLUID MAY BE ANY SIZE OR SHAPE PROVIDED CLEARANCE IS MAINTAINED FOR FITTING

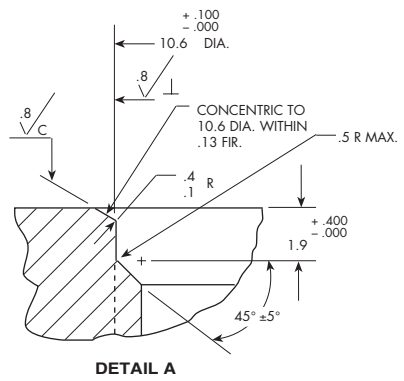


FIG. 2 (e) DETAIL

NOTE: MIN. FLAT BOSS FACE CLEARANCE PROVISIONS FOR FITTING, WRENCH, FITTING INSTALLATION AND TOOL FILLET RADII MUST BE ADDED AS REQUIRED