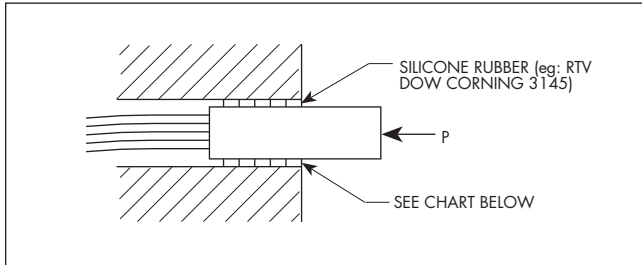


APPLICATION DATA

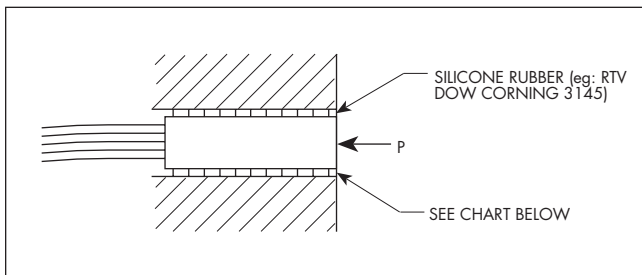
MOUNTING

Integrated Sensor pressure sensing probes are suitable for mounting in a variety of installations. The transducer should also be soft mounted if it is to be removed at a later date. This is especially true for low pressure units. As these transducers have a minimal case sensitivity, hard mounting epoxy is also acceptable. Some typical installations for transducers are shown below. Please refer to the Typical Hole Diameter Chart for dimensions.

END MOUNT



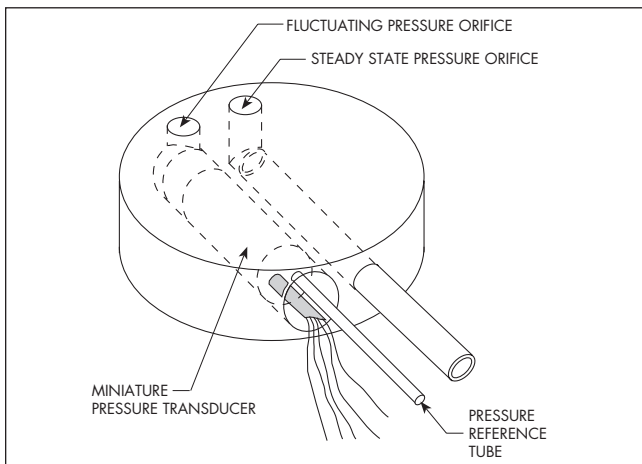
FLUSH MOUNT



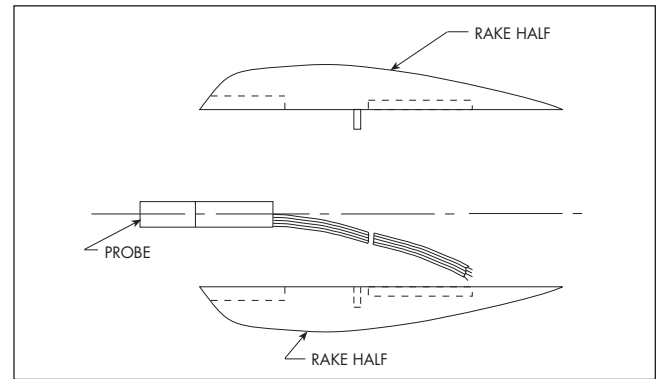
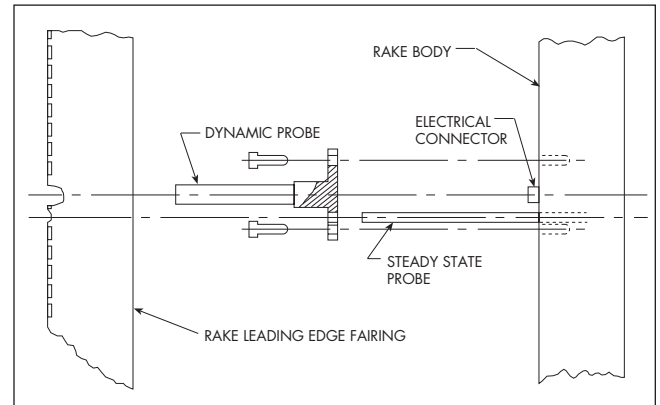
TYPICAL HOLE DIAMETERS	
XCQ-062	.068 $^{+0.002}_{-0.000}$ DIA. HOLE
XCL-072	.077 $^{+0.002}_{-0.000}$ DIA. HOLE
XCQ-080	.082 $^{+0.002}_{-0.000}$ DIA. HOLE
XCQ-093	.096 $^{+0.002}_{-0.000}$ DIA. HOLE
XCL-100	.103 $^{+0.002}_{-0.000}$ DIA. HOLE
XCQ-152	.154 $^{+0.002}_{-0.000}$ DIA. HOLE

These are suggested diameters. Actual hole size should be determined by the user suitable for the application.

SIDE MOUNT



These probes are particularly suitable for rake fabrication. Two techniques which have been very successfully employed are shown below:



PARTICLE IMPACT AND THERMAL TRANSIENT PROTECTION

The Kulite Integrated Pressure Probes have found a wide application in wind tunnel, engine and flight test work. In certain applications such as total pressure measurement in supersonic wind tunnels, it is desirable to provide means for protecting the diaphragm.

Two basic methods for protecting the diaphragm are:

1. Coating the diaphragm with a protective layer such as Silicone Rubber, RTV, Silastic, etc.
2. Shielding the diaphragm with a perforated screen.

Typically, both a protective layer and screen are utilized. Many versions of the Kulite Pressure Probes with protective devices are commonly employed. They have satisfactorily performed under the most severe conditions and have resisted particle impingement in supersonic wind tunnel work. The data available indicates that the most effective method for general purpose protection is the use of both a protective coating and a perforated screen.